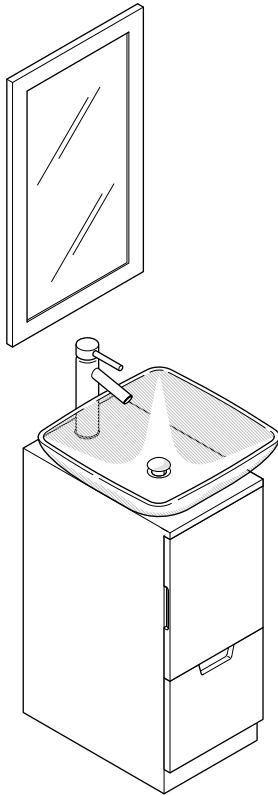
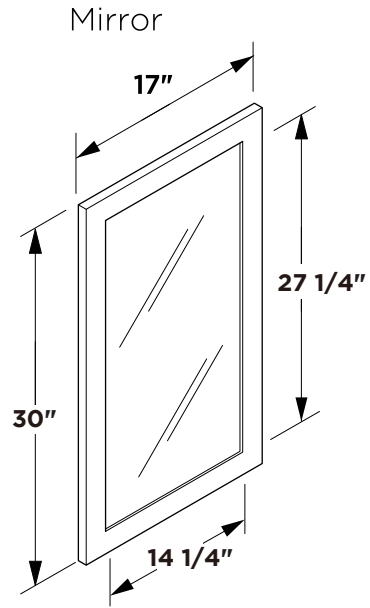




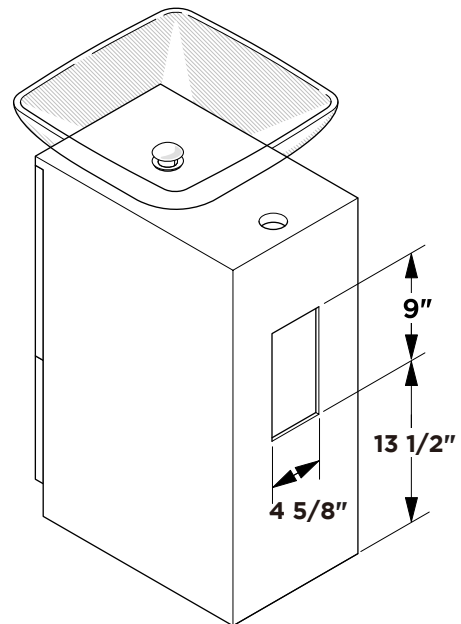
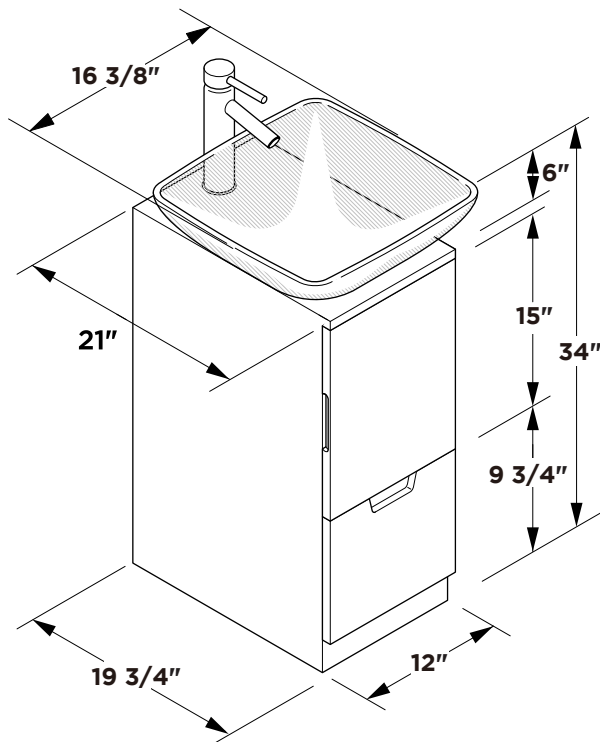
FVN6117
**BRILLIANTE
INSTALLATION GUIDE**



Vanity Front



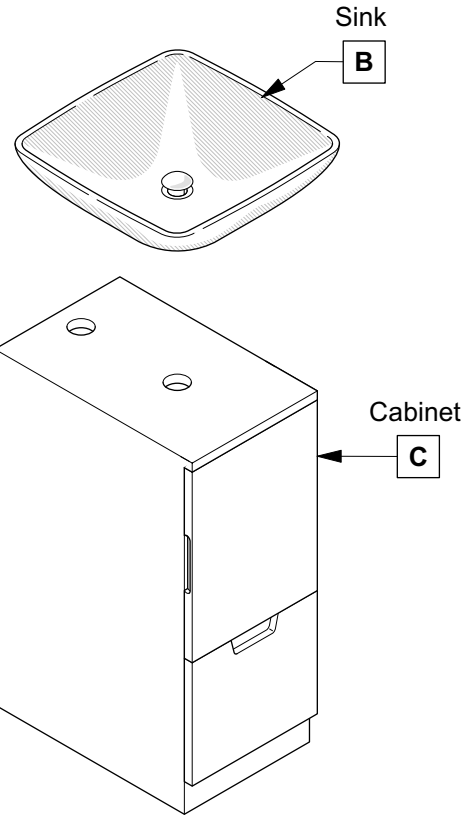
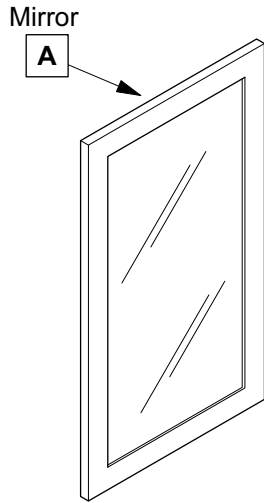
Vanity Back



TOOLS FOR ASSEMBLY

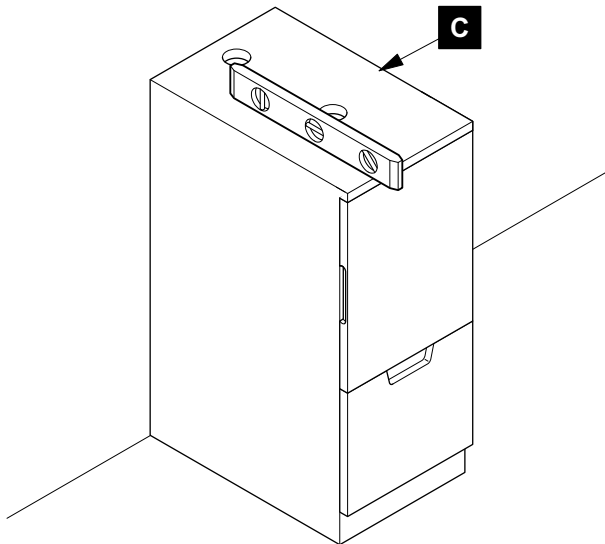


PARTS

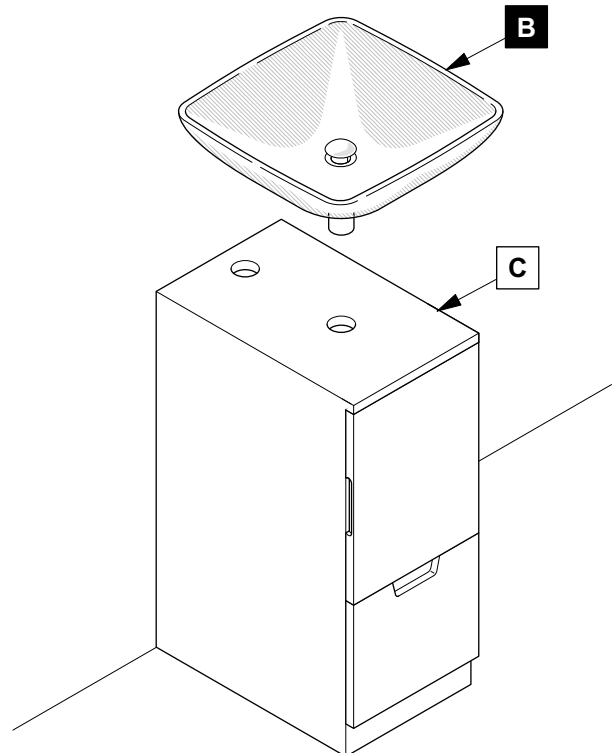


1 Position cabinet (C)

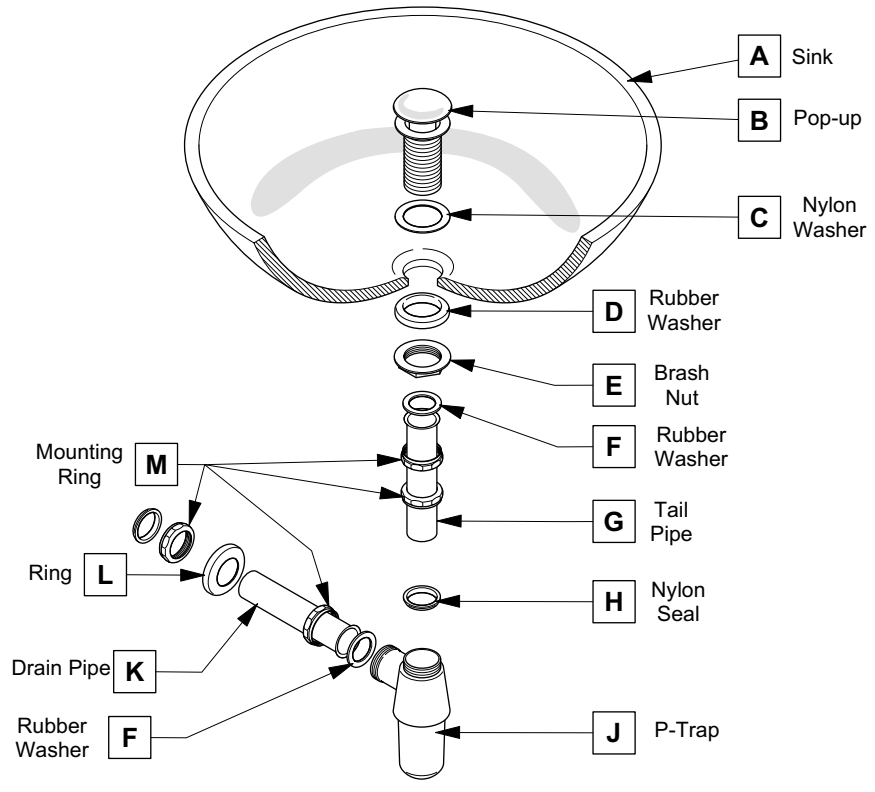
IMPORTANT: Consult an expert for the proper screws/bolts to use when attaching to various wall constructions. Screws provided do not attach to all wall construction types.



2 install sink (B)

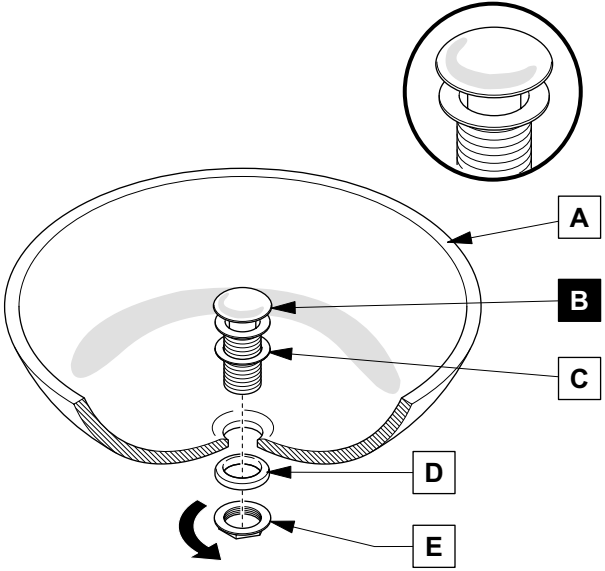


P-TRAP AND POP-UP INSTALLATION INSTRUCTIONS



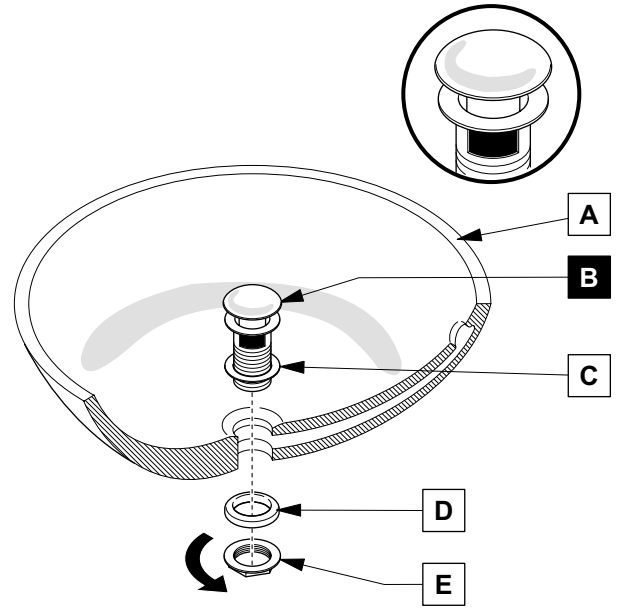
POP-UP INSTALLATION

FOR SINKS WITHOUT OVERFLOW



OR

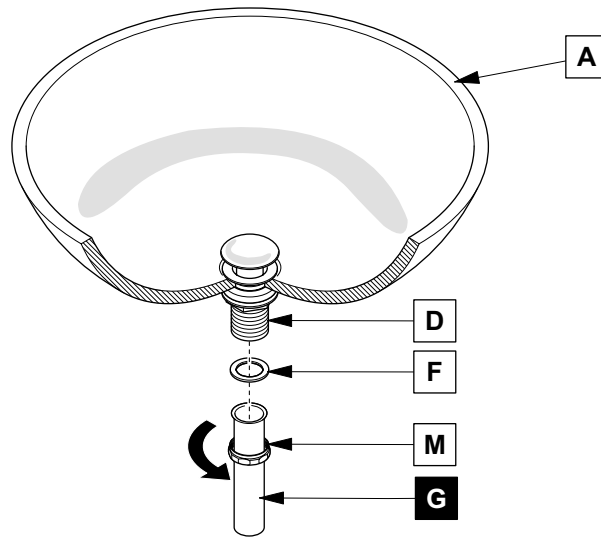
FOR SINKS WITH OVERFLOW



P-TRAP INSTALLATION

1

Install tail pipe (G)



2

Install p-trap (J)

