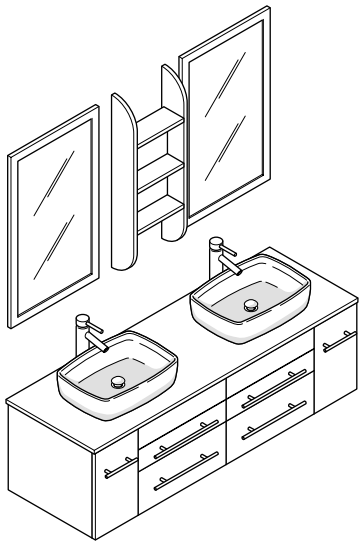
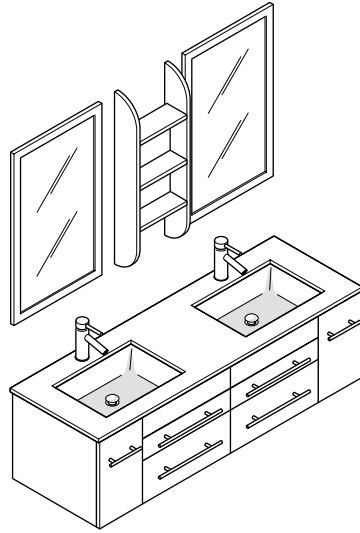


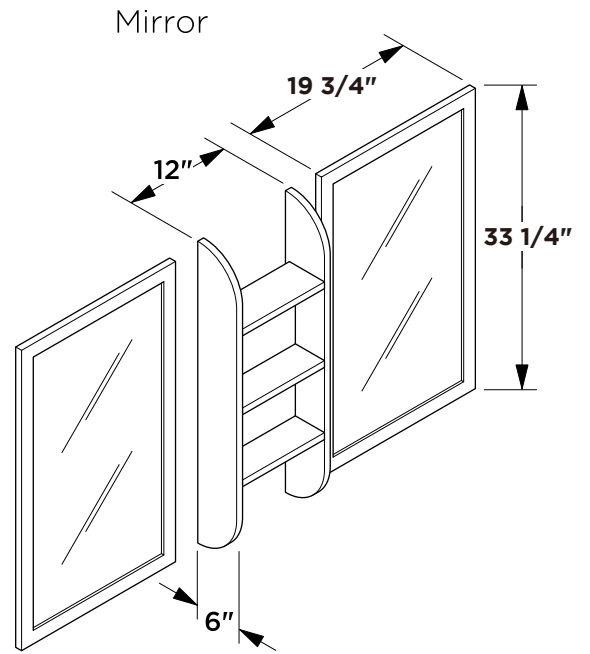
FVN6119
BELLEZZA
INSTALLATION GUIDE



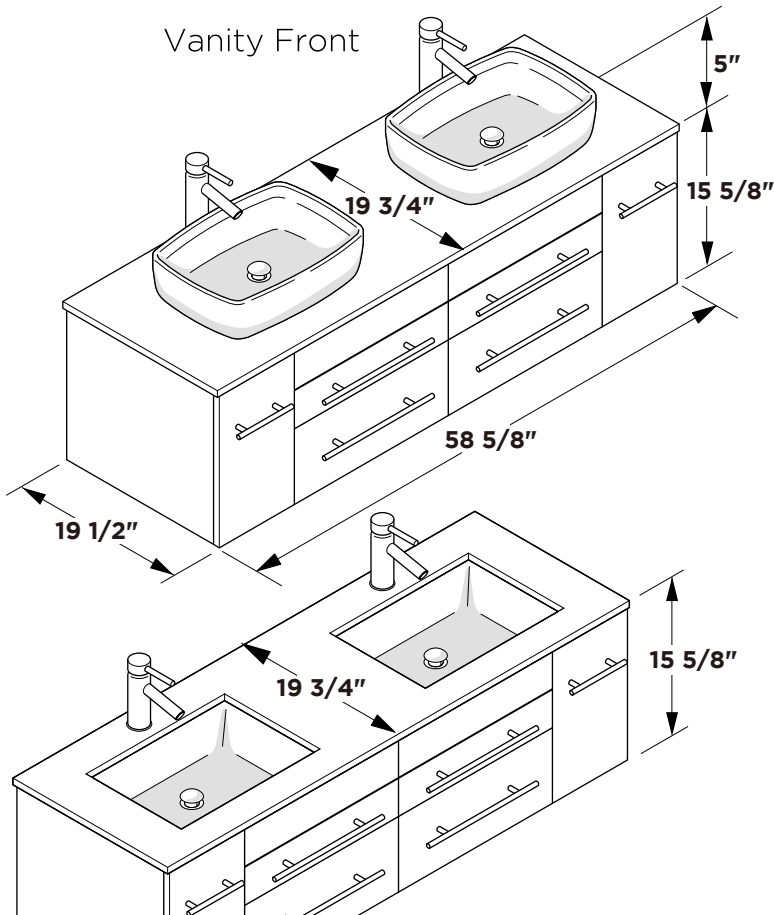
FVN6119



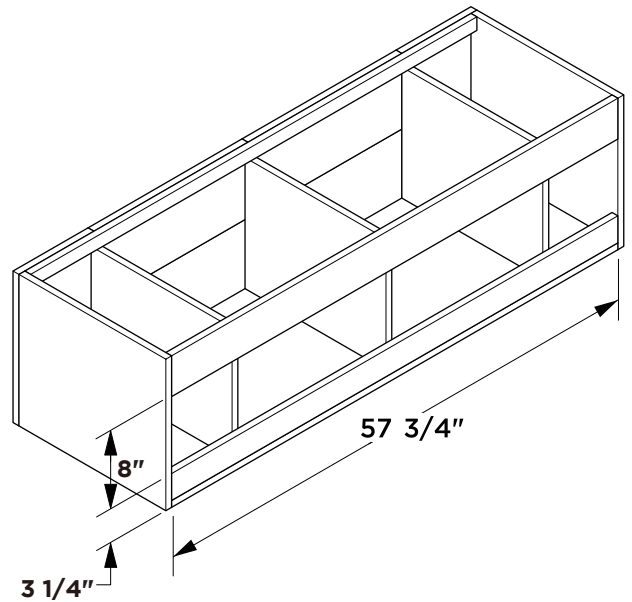
FVN6119UNS



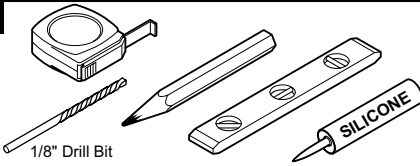
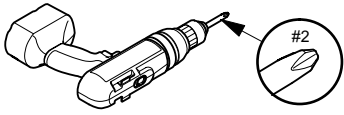
Vanity Front



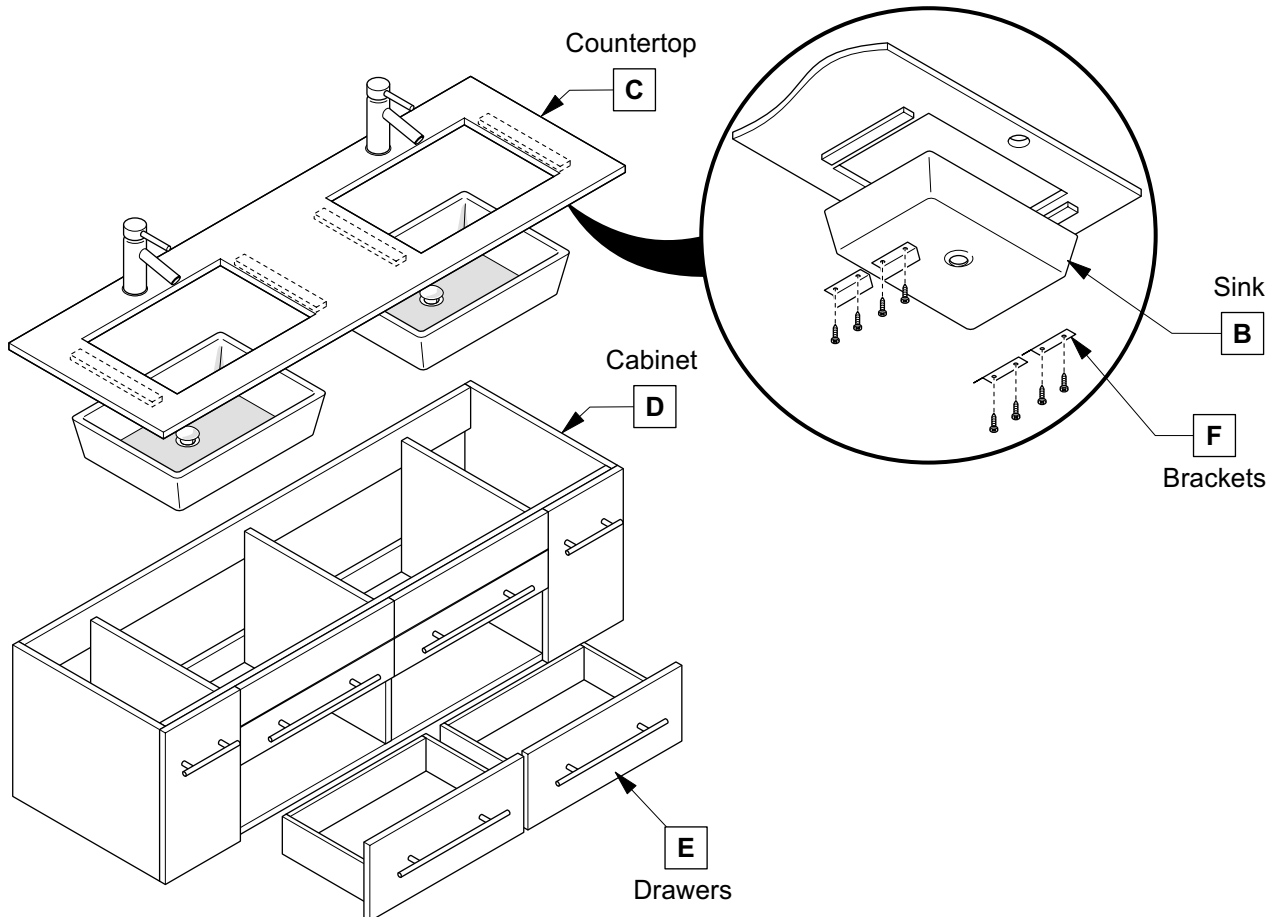
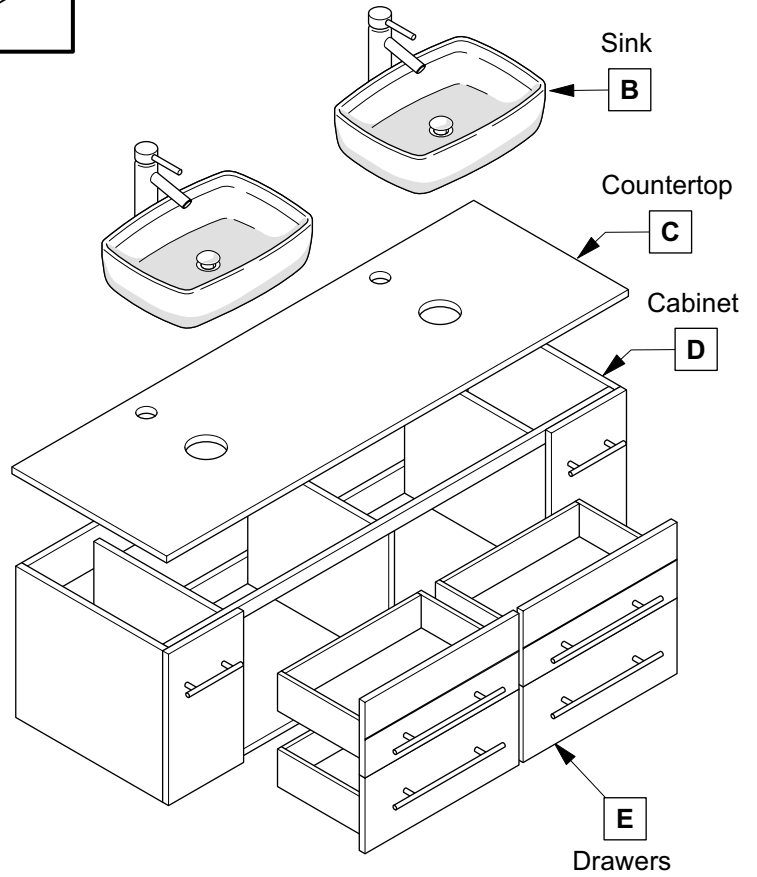
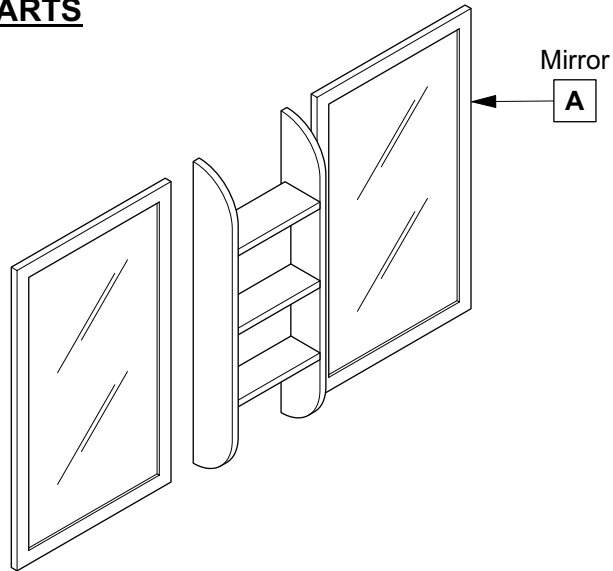
Vanity Back



TOOLS FOR ASSEMBLY

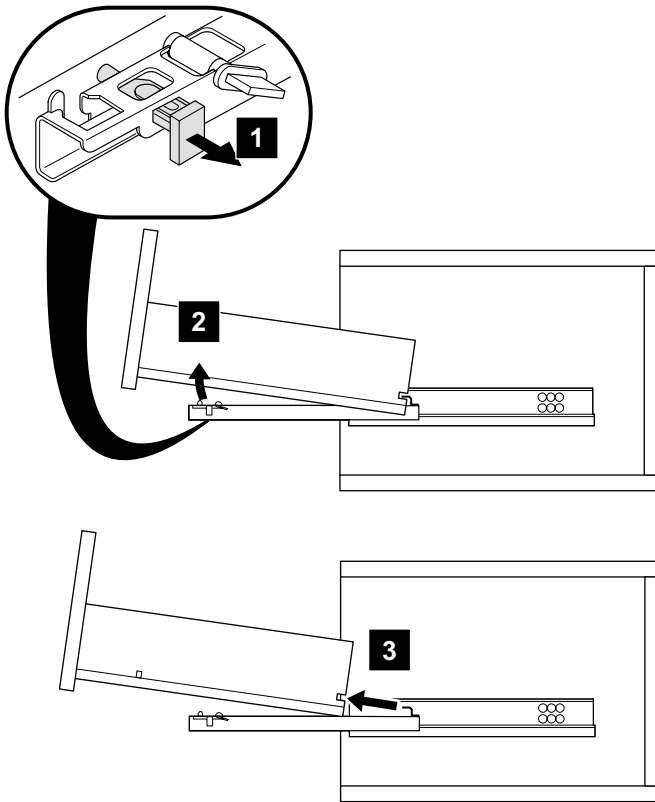


PARTS

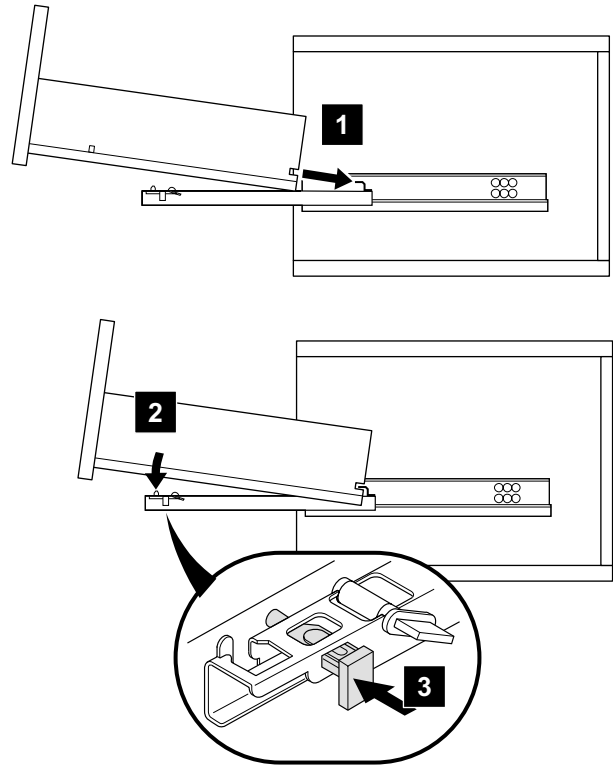


DRAWER REMOVAL & INSTALLATION

REMOVAL

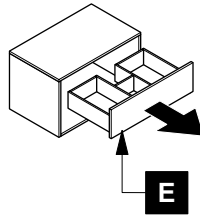


INSTALLATION

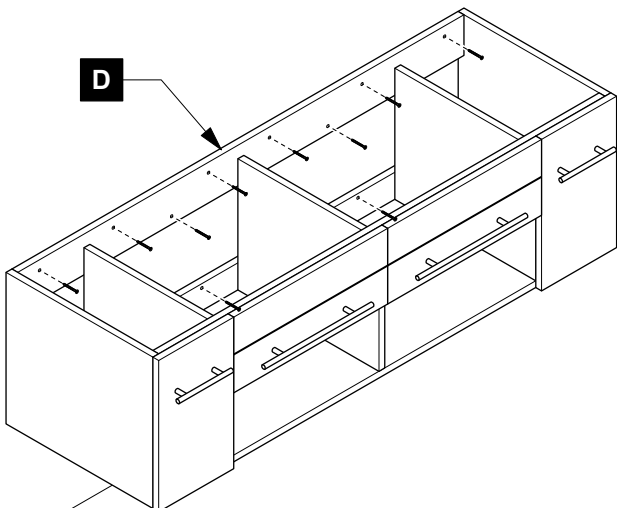


1 Remove drawer (E)

2 Install cabinet (D)

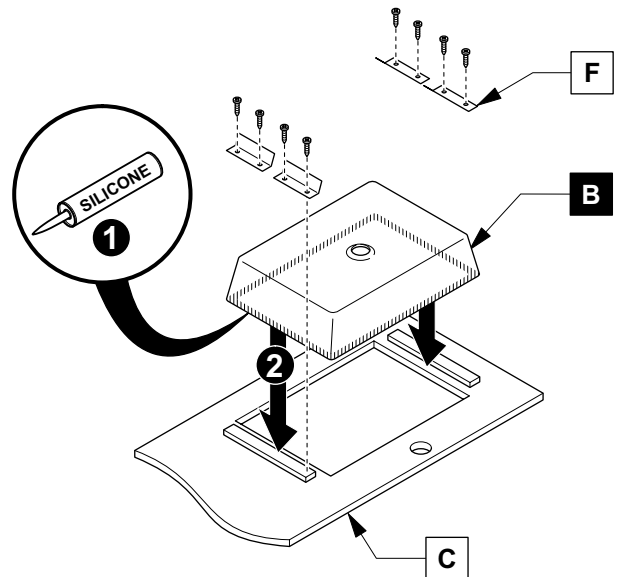


IMPORTANT: Consult an expert for the proper screws/bolts to use when attaching to various wall constructions. Screws provided do not attach to all wall construction types.

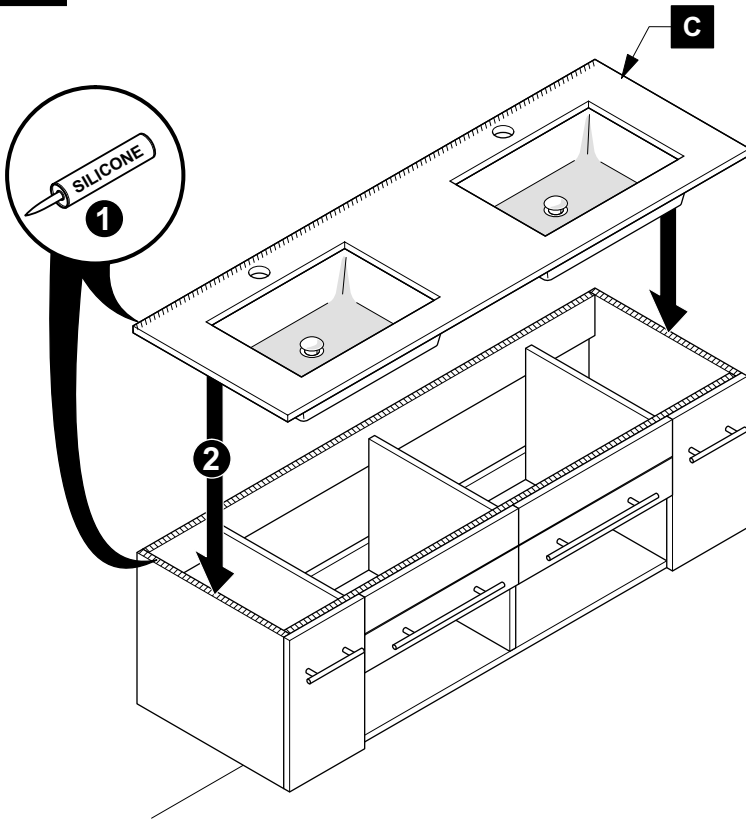


BELOW SINK INSTALLATION

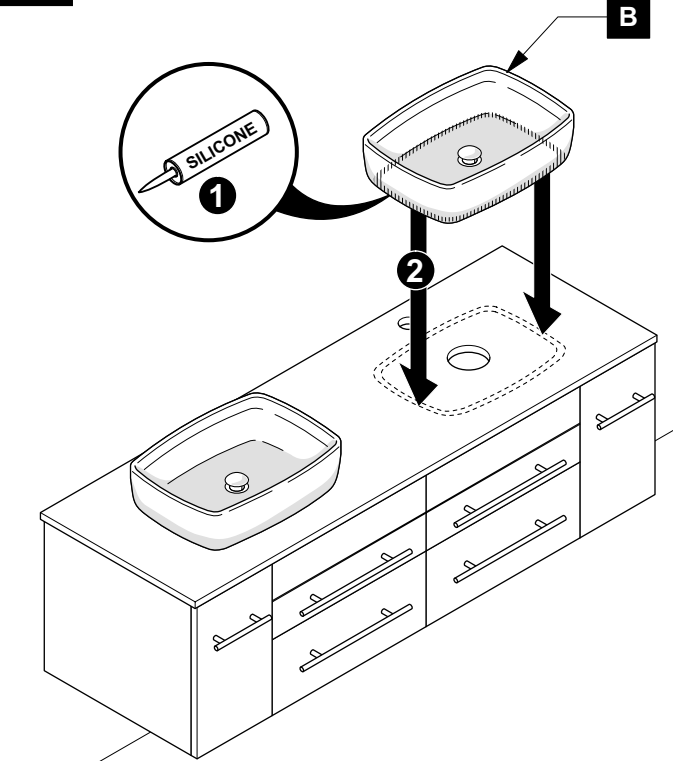
3 Apply silicone and install sinks (B)



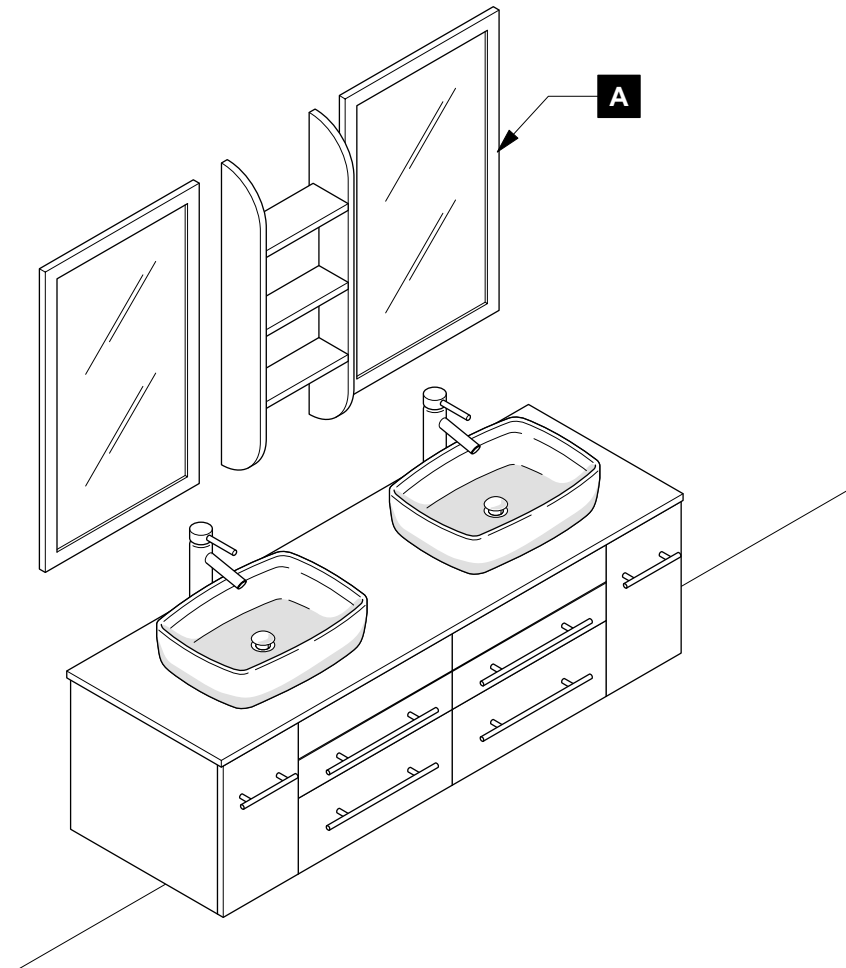
4 Install countertop (C)



5 Install sinks (E)

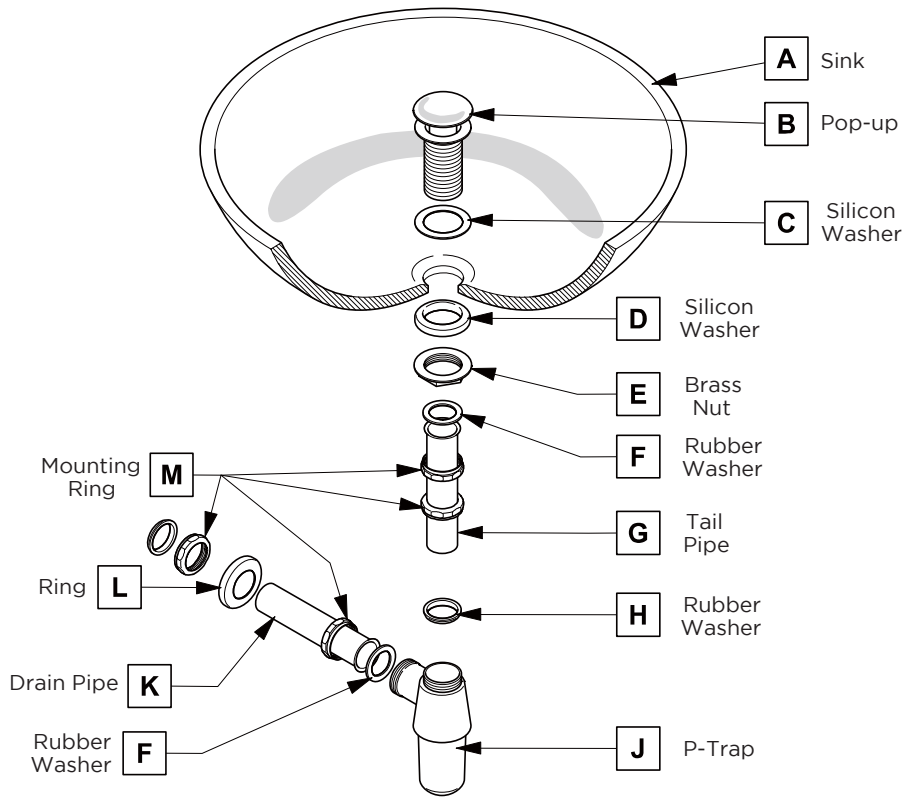


6 Install mirror (A)



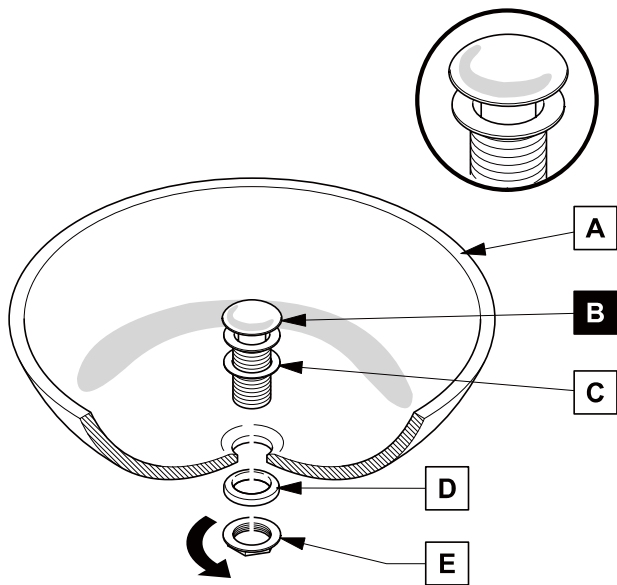
P-TRAP AND POP-UP INSTALLATION INSTRUCTIONS

Your item may appear slightly different from the illustration



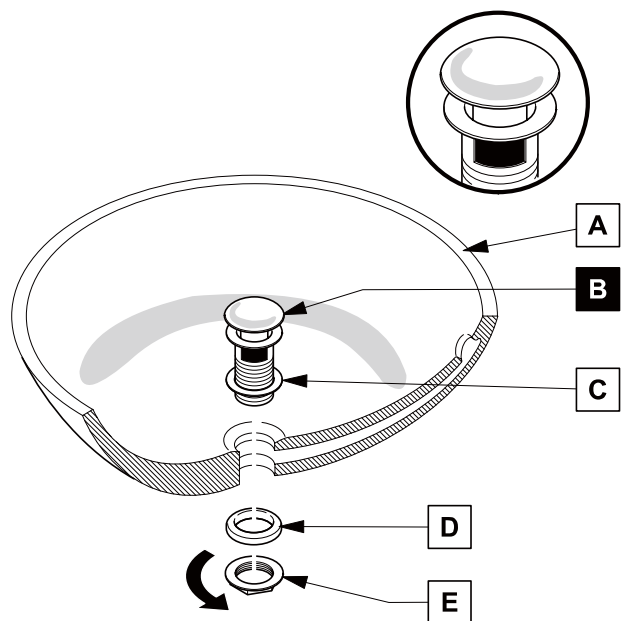
POP-UP INSTALLATION

FOR SINKS WITHOUT OVERFLOW



OR

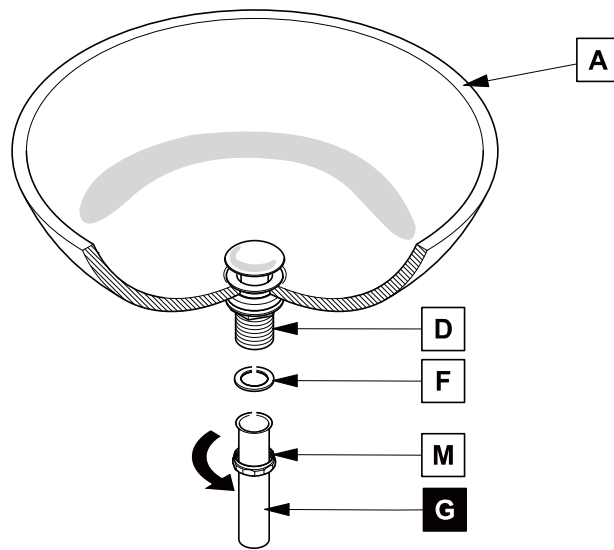
FOR SINKS WITH OVERFLOW



P-TRAP INSTALLATION

1

Install tail pipe (G)



2

Install p-trap (J)

